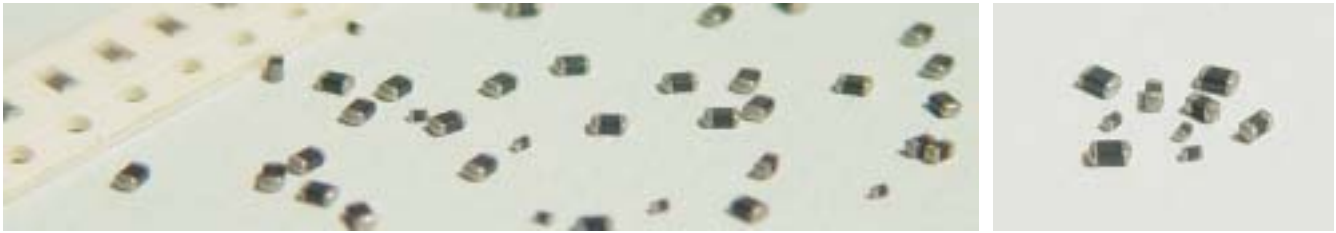


NTC SMD THERMISTOR



NTC - 160808 103 F 3435 F T

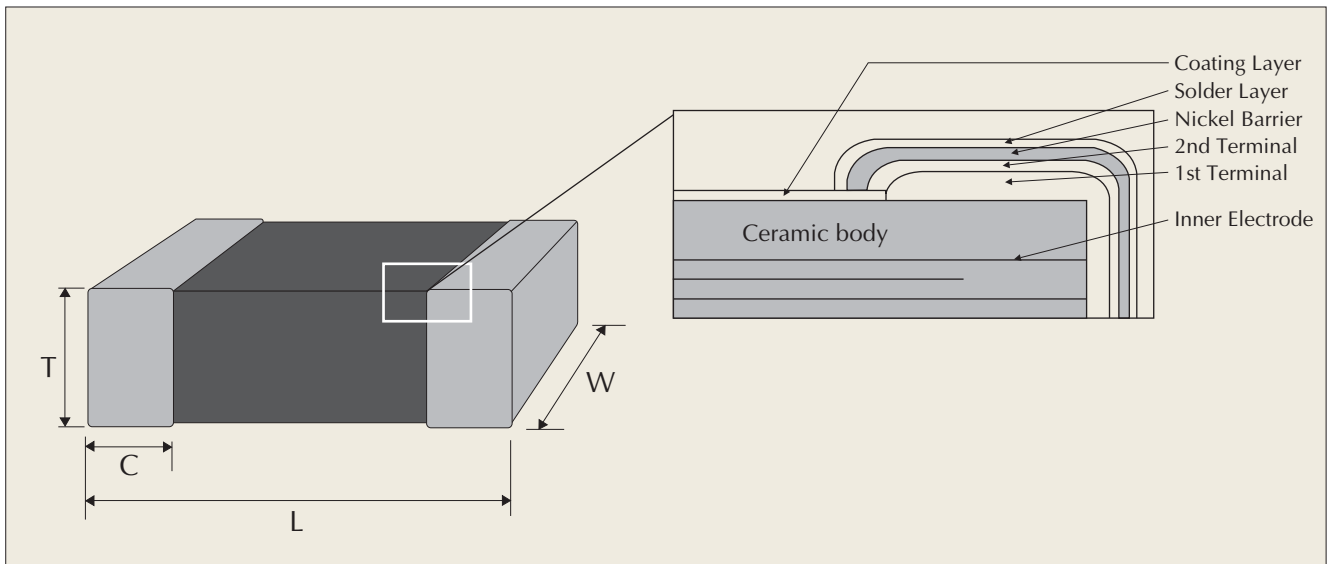
① ② ③ ④ ⑤ ⑥ ⑦

- ① SYMBOL
- ② DIMENSION [Length & Width (mm) : 1608 type, Thickness : last two digit (08 = 0.8mm)]
- ③ RESISTANCE [103 = 10,000 ohm]
- ④ RESISTANCE TOLERANCE [F:±1%, G:±2%, H:±3%, J:±5%, K:±10%, L:±15%]
- ⑤ B VALUE [3435 = 3435°K]
- ⑥ B TOLERANCE [F:±1%, G:±2%, H:±3%, J:±5%, K:±10%, L:±15%]
- ⑦ PACKING [B: Bulk, T: Tape & Reel]

FEATURES

- Small size, low capacitance at 40MHz (below 3pF)
- Corresponding to the high B value
- Strong against electrostatic discharge
- Excellent in cost-performance
- High accuracy and high environmental resistance due to polymer coating process
- Lead free solder

SHAPE & DIMENSION



unit : mm

TYPE	L	W	T	C
1005	1.00 ±0.05	0.50 ±0.05	0.50 ±0.05	0.25 ±0.10
1608	1.60 ±0.10	0.80 ±0.10	0.80 ±0.10	0.40 ±0.20
2012	2.00 ±0.20	1.25 ±0.20	0.80 ±0.20	0.50 ±0.20

1005 TYPE

No.	Part No.	R25℃(Ω)	B(25℃/85℃)
1	NTC 100505 220□3150□T	22	3150K
2	NTC 100505 300□3150□T	30	3150K
3	NTC 100505 470□3150□T	47	3150K
4	NTC 100505 680□3150□T	68	3150K
5	NTC 100505 101□3250□T	100	3250K
6	NTC 100505 151□3250□T	150	3250K
7	NTC 100505 221□3250□T	220	3250K
8	NTC 100505 331□3250□T	330	3250K
9	NTC 100505 471□3250□T	471	3250K
10	NTC 100505 681□3250□T	680	3250K
11	NTC 100505 102□4100□T	1.0kΩ	4100K
12	NTC 100505 152□4100□T	1.5kΩ	4100K
13	NTC 100505 202□4100□T	2.0kΩ	4100K
14	NTC 100505 202□4550□T	2.0kΩ	4550K
15	NTC 100505 222□4100□T	2.2kΩ	4100K
16	NTC 100505 472□4100□T	4.7kΩ	4100K
17	NTC 100505 103□3435□T	10kΩ	3435K
18	NTC 100505 103□3670□T	10kΩ	3670K
19	NTC 100505 103□4100□T	10kΩ	4100K
20	NTC 100505 223□3800□T	22kΩ	3800K
21	NTC 100505 473□4100□T	47kΩ	4100K
22	NTC 100505 683□3800□T	68kΩ	3800K
23	NTC 100505 683□4100□T	68kΩ	4100K
24	NTC 100505 104□4100□T	100kΩ	4100K
25	NTC 100505 154□4100□T	150kΩ	4100K
26	NTC 100505 474□4100□T	470kΩ	4100K
27	NTC 100505 474□4750□T	470kΩ	4750K
28	NTC 100505 684□4750□T	680kΩ	4750K
29	NTC 100505 105□4750□T	1.0MΩ	4750K

1608 TYPE

No.	Part No.	R25℃(Ω)	B(25℃/85℃)
1	NTC 160808 220□3050□T	22	3050K
2	NTC 160808 300□3050□T	30	3050K
3	NTC 160808 470□3050□T	47	3050K
4	NTC 160808 680□3050□T	68	3050K
5	NTC 160808 101□3150□T	100	3150K
6	NTC 160808 221□3150□T	220	3150K
7	NTC 160808 331□3250□T	330	3250K
8	NTC 160808 471□3250□T	471	3250K
9	NTC 160808 681□3250□T	680	3250K
10	NTC 160808 102□4100□T	1.0	4100K
11	NTC 160808 202□4550□T	2.0	4550K
12	NTC 160808 472□4100□T	4.7	4100K
13	NTC 160808 103□3435□T	10kΩ	3435K
14	NTC 160808 103□3800□T	10kΩ	3800K
15	NTC 160808 103□4100□T	10kΩ	4100K
16	NTC 160808 223□4100□T	22kΩ	4100K
17	NTC 160808 473□4100□T	47kΩ	4100K
18	NTC 160808 683□4100□T	68kΩ	4100K
19	NTC 160808 104□4100□T	100kΩ	4100K
20	NTC 160808 154□4100□T	150kΩ	4100K
21	NTC 160808 224□4100□T	220kΩ	4100K
22	NTC 160808 474□4100□T	470kΩ	4100K
23	NTC 160808 474□4750□T	470kΩ	4750K
24	NTC 160808 684□4750□T	680kΩ	4750K
25	NTC 160808 105□4750□T	1.0MΩ	4750K

2012 TYPE

No.	Part No.	R25℃(Ω)	B(25℃/85℃)
1	NTC 201208 471□3250□T	470	3250K
2	NTC 201208 681□3250□T	680	3250K
3	NTC 201208 222□4100□T	2.2kΩ	4100K
4	NTC 201208 103□3435□T	10kΩ	3435K
5	NTC 201208 473□3800□T	47kΩ	3800K
6	NTC 201208 683□3800□T	68kΩ	3800K
7	NTC 201208 104□4100□T	100kΩ	4100K
8	NTC 201208 154□3800□T	150kΩ	3800K